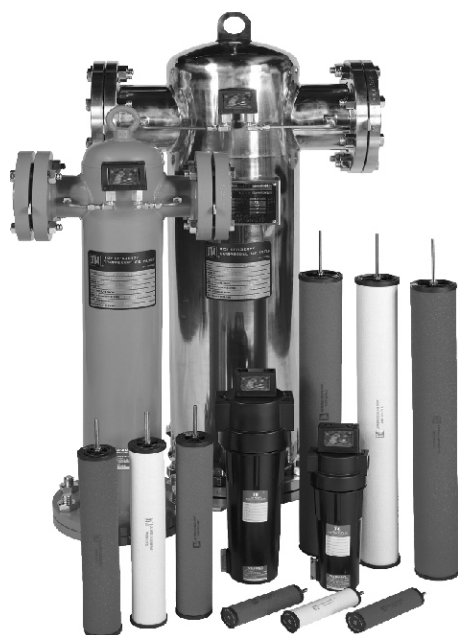


MJF/MJL series (Grade)-15~(Grade)-1250

HIGH EFFICIENCY COMPRESSED AIR FILTER



Features:

- The top quality filter element originally manufactured by Domnick Hunter. Totally interchangeable with Hankison filter elements in sizes.
- Optional (external/internal auto drain valves, differential pressure gauge) available.
- Capacity 50% larger. 5-year life time guaranteed.

Filtration (Grades)

C Main line filter	Use as a separator to handle heavy liquid load from the after cooler. Also provides 3 micron filtration and a maximum remaining oil aerosol content of 5 ppm w/w.
T Air line filter	For the removal of particles down to 1 micron including coalesced liquid water and oil, providing a maximum remaining oil aerosol content of 0.5 ppm w/w. A. Use as a prefilter ahead of desiccant and membrane dryers. ① On systems supplied by oil-lubricated systems, use to remove liquid water (if present) and protect the Oil Removal Filter from gross contamination. ② On oil-free systems, use alone to protect dryer from liquid and solid contaminants. B. Use as an after filter with desiccant dryers to collect desiccant fines.
A Oil removal filter	For the removal of particles down to 0.01 micron including water and oil aerosols, providing a maximum remaining oil aerosol content of 0.001 ppm w/w (precede with Grade T filter). A. Use as a prefilter ahead of desiccant and membrane dryers on systems supplied by lubricated compressors to remove oil aerosols. B. Use as an after filter downstream of refrigerated dryers to remove liquid oil aerosols. (Downstream is the preferred location because of the additional aerosols formed in the dryer).
H Activated carbon oil vapor removal filter	Use to remove oil vapor and hydrocarbon odor down to 0.01 micron and give a maximum remaining oil content of 0.003 ppm w/w (precede with Grade A filter).

Specification:

Series	Filter model	Max. capacity	Connection (inch)	Dimension (mm)		Weight (kg)	Element model × Qty	for Refrigeration dryer models	for Desiccant dryer models
				Diameter	Length				
MJF Series	(Grade)-15	2.4	1"PT	104	313	1.3	(Grade)-F1E × 1	M2E-08~15	MHD-10/15
	(Grade)-40	5.5	1-1/2"PT	138	424	1.4	(Grade)-F2E × 1	M2E-15~40	MHD-10~40
	(Grade)-60	8.1	1-1/2"PT	138	624	3.3	(Grade)-F3E × 1	M2E-40/60	MHD-40/60
Standard ports	(Grade)-100	15	2"PT	148	685	4.2	(Grade)-F4E × 1	M2E-75/100	MHD-60/100
	(Grade)-150	22	2-1/2"PT	150	850	8.2	(Grade)-L1E × 1	M2E-75~150	MHD-100/150
MJL Series	(Grade)-200	30	3"FL	350	1000	45	(Grade)-L1E × 1	M2E-125~250	MHD-150
	(Grade)-400	60	4"FL	450	1100	70	(Grade)-L1E × 2	M2E-250~400	MHD-250~400
	(Grade)-700	90	6"FL	550	1200	110	(Grade)-L1E × 3	M2E-400~700	MHD-400~700
Flange	(Grade)-900	120	6"FL	580	1200	150	(Grade)-L1E × 4	M2E-700~900	MHD-700~900
	(Grade)-1250	150	8"FL	600	1300	210	(Grade)-L1E × 5	M2E-900/1000	MHD-900/1000

- Conditions :
- Max. Working pressure: 1.0 MPa (@0.7MPa)
 - Max. Working temp.: 66°C(Grade C/T/A) / 50°C(Grade H)
 - Max. differential pressure : 0.007 MPa (@0.7MPa)

- Ordering :
- Stainless steel housing -P
 - High pressure housing -H (1.1~5.0MPa)
 - Level gauge -L (for(grade)-15~60 only)
 - ΔP Gauge -G
 - External auto drain -D
 - Internal auto drain -D (for(grade)-15 only)

- All filters are supplied with a maintenance sticker. It is important to change the filter elements every year or earlier if the gauge changes to red. Grade H activated carbon filter elements should be changed every 1000 hours or earlier if odor is detected.
- **Ordering example:** To order a 0.01 micron oil removal filter flowing 2.4 Nm³/min at 0.7 MPa with auto drain (D) and differential pressure gauge (G) specify model A-15-D-G. Replacement element is A-F1E.